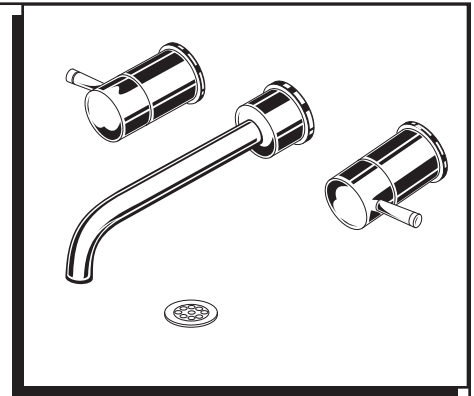


SERIN™ WALL MOUNT FAUCET IN-WALL LAVATORY FITTING



Certified to comply with ASME A112.18.1M
U.S. Patent No. 5,819,789

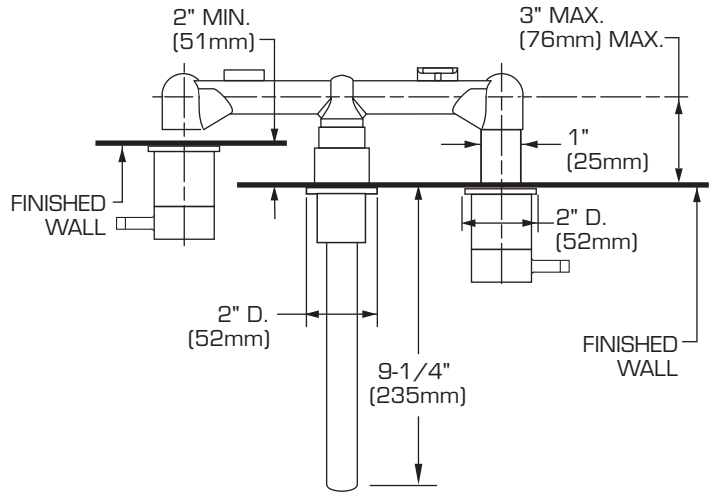
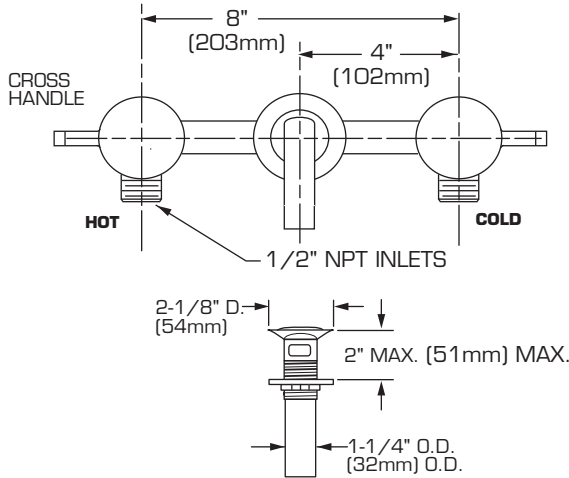
Thank you for selecting American-Standard...
the benchmark of fine quality for over 100 years.

To ensure that your installation proceeds smoothly—
please read these instructions carefully before you begin.

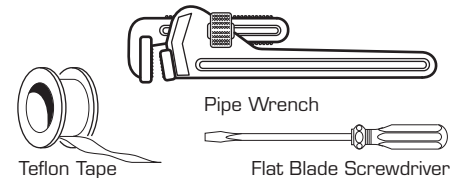
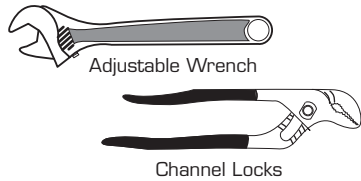
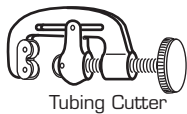
M968852 Rev.1.4 (4/15)

To ensure that your installation proceeds smoothly—please read these instructions carefully before you begin.

ROUGHING-IN DIMENSIONS



Required Tools



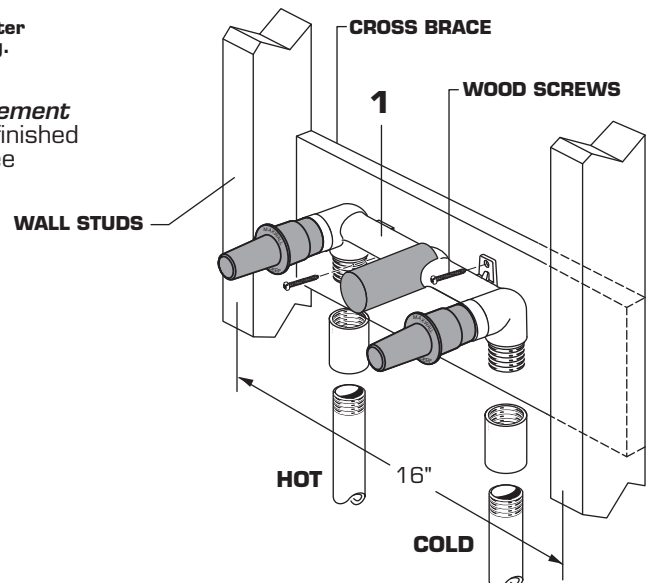
1

INSTALL VALVE BODY

CAUTION

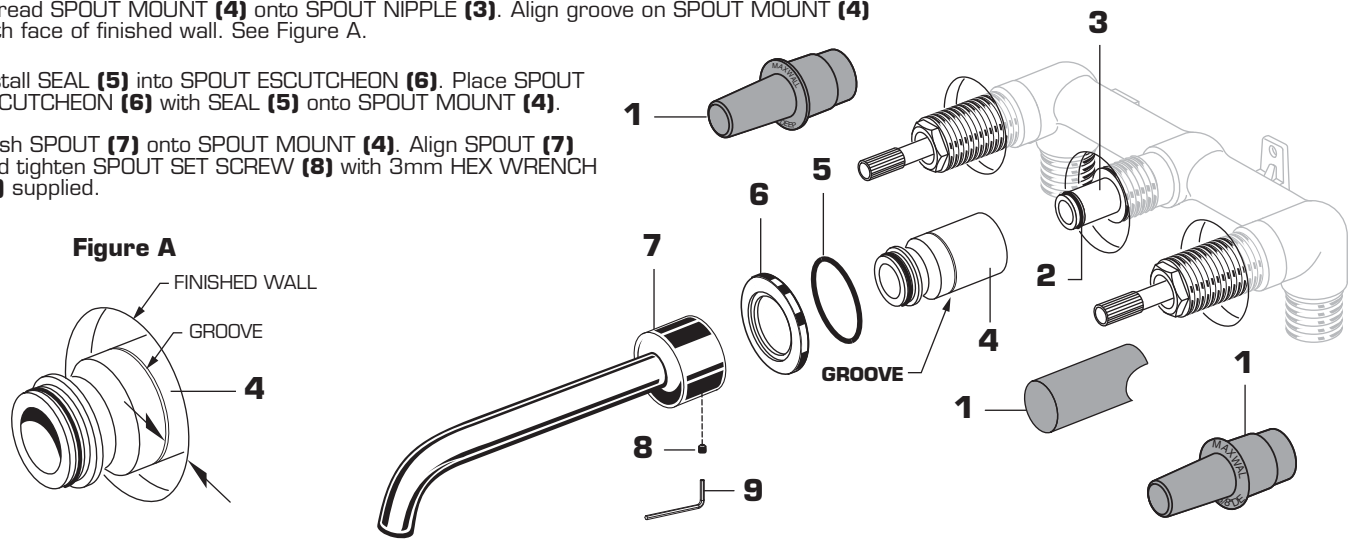
Turn off hot and cold water supplies before beginning.

- Determine where the finished wall location will be. **This measurement is very important!** Note: The rough-in measurement from the finished wall is; 2" minimum and 3" maximum. This is a 1" tolerance. See rough-in illustration above.
- Secure FAUCET BODY (1) to cross brace of wall structure at required height using two wood screws.
- Connect HOT water supply to left VALVE inlet and COLD water supply to right VALVE inlet. Use pipe sealant or Teflon tape for all threaded connections. For sweat connections, do not make sweat connections directly to valve body. Damage to seals and valve cartridge may occur.
- Turn valves to off position. Turn hot and cold supplies on and check fitting connections for leaks .
- Complete wall construction.



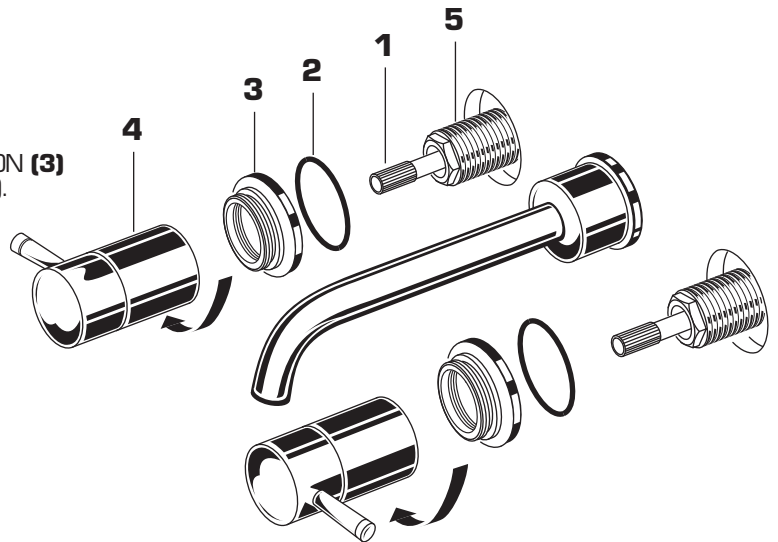
2 INSTALL WALL SPOUT

- Remove PLASTER GUARDS (1) from valve bodies.
- Inspect that SPOUT NIPPLE O-RING (2) is seated in groove of SPOUT NIPPLE (3).
- Thread SPOUT MOUNT (4) onto SPOUT NIPPLE (3). Align groove on SPOUT MOUNT (4) with face of finished wall. See Figure A.
- Install SEAL (5) into SPOUT ESCUTCHEON (6). Place SPOUT ESCUTCHEON (6) with SEAL (5) onto SPOUT MOUNT (4).
- Push SPOUT (7) onto SPOUT MOUNT (4). Align SPOUT (7) and tighten SPOUT SET SCREW (8) with 3mm HEX WRENCH (9) supplied.



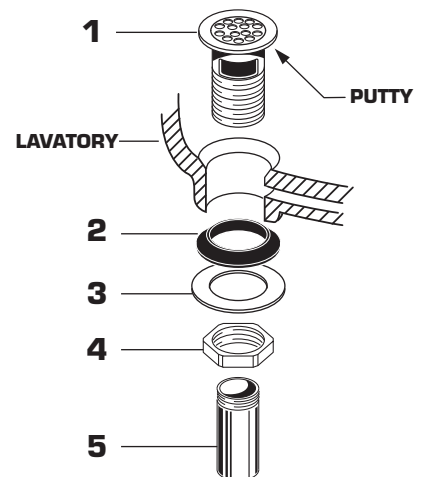
3 INSTALL HANDLES

- Turn VALVE STEMS (1) to off position.
- Place O-RING (2) into HANDLE ESCUTCHEON (3). Thread HANDLE ESCUTCHEON (4) onto VALVE (5) until snug against finished wall.
- Thread HANDLE BASE (4) onto HANDLE ESCUTCHEON (3) until seated tightly against HANDLE ESCUTCHEON (3).



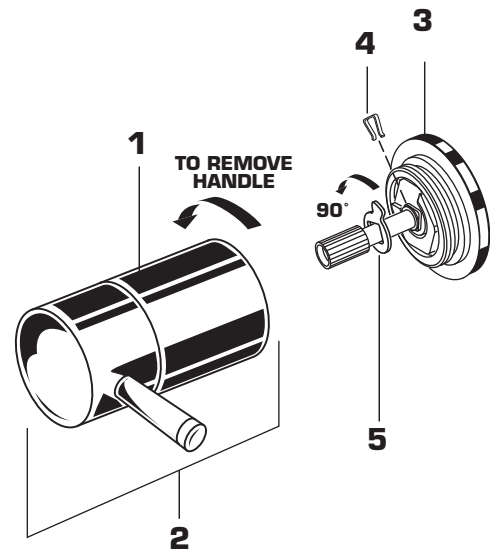
4 DRAIN INSTALLATION

- Apply a bead of PUTTY to underside of FLANGE on DRAIN BODY (1).
- Feed DRAIN BODY (1) down through lavatory.
- Assemble GASKET (2) WASHER (3) and LOCKNUT (4) onto DRAIN BODY (1). Tighten LOCKNUT (4) firmly.
- Apply Teflon Tape to TAILPIECE (5) and thread onto DRAIN BODY (1).



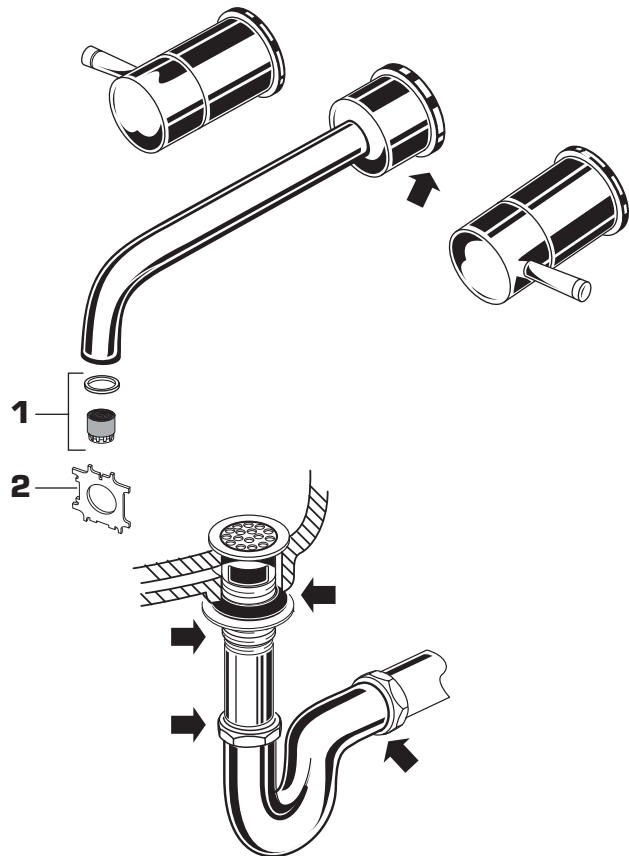
5 SERVICE

- To change direction of handle rotation, proceed as follows:
 - Turn valve to OFF position.
 - Thread counter-clock wise HANDLE BASE (1) to remove HANDLE ASSEMBLY (2) from ESCUTCHEON BASE (3).
 - Use a flat blade screw driver to remove SPRING CLIP (4).
 - Lift STOP WASHER (5), turn 90° and replace.
 - Replace SPRING CLIP (4).
 - Reinstall HANDLE ASSEMBLY (2).
- If spout drips, operate handles several times from OFF to ON position. Do not force - handles turn only 90°.



6 TEST INSTALLED FAUCET

- Turn HANDLES to "off" position.
- Remove AERATOR (1) using TOOL (2) supplied.
- Turn hot and cold water supplies on. Operate both HANDLES to flush water lines thoroughly. Check spout connections for leaks.
- Check all drain connections for leaks. ➡
- Turn handles to OFF position. Replace AERATOR (1).



7 CARE INSTRUCTIONS:

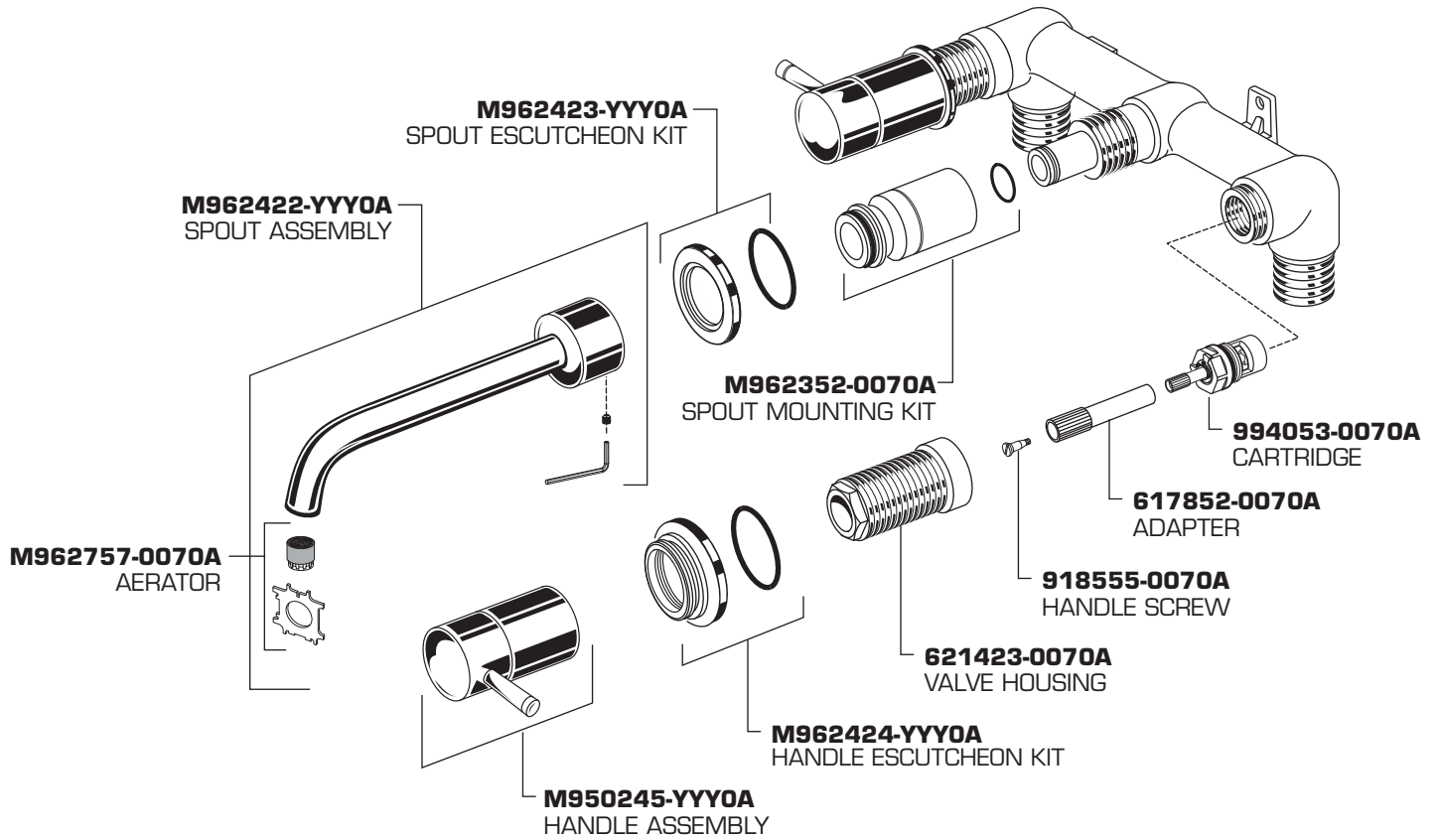
- DO: SIMPLY RINSE THE PRODUCT CLEAN WITH CLEAR WATER. DRY WITH A SOFT COTTON FLANNEL CLOTH.**
- DO NOT: DO NOT CLEAN THE PRODUCT WITH SOAPS, ACID, POLISH, ABRASIVES, HARSH CLEANERS, OR A CLOTH WITH A COARSE SURFACE.**

American Standard

**SERIN™
WALL MOUNT
LAVATORY FAUCET**

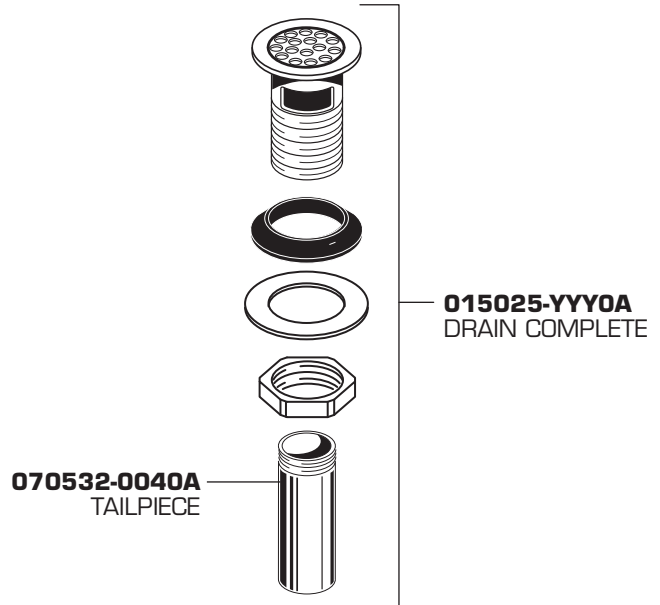
MODEL NUMBER

2064.451



Replace the "YYY" with appropriate finish code

CHROME	002
SATIN NICKEL	295



HOT LINE FOR HELP
For toll-free information and answers to your questions, call:
1 (800) 442-1902
Weekdays 8:00 a.m. to 6:00 p.m. EST

IN CANADA 1-800-387-0369 (TORONTO 1-905-306-1093)
Weekdays 8:00 a.m. to 7:00 p.m. EST

IN MEXICO 01-800-839-12-00

Product names listed herein are trademarks of American Standard Inc.
© AS America, Inc. 2008